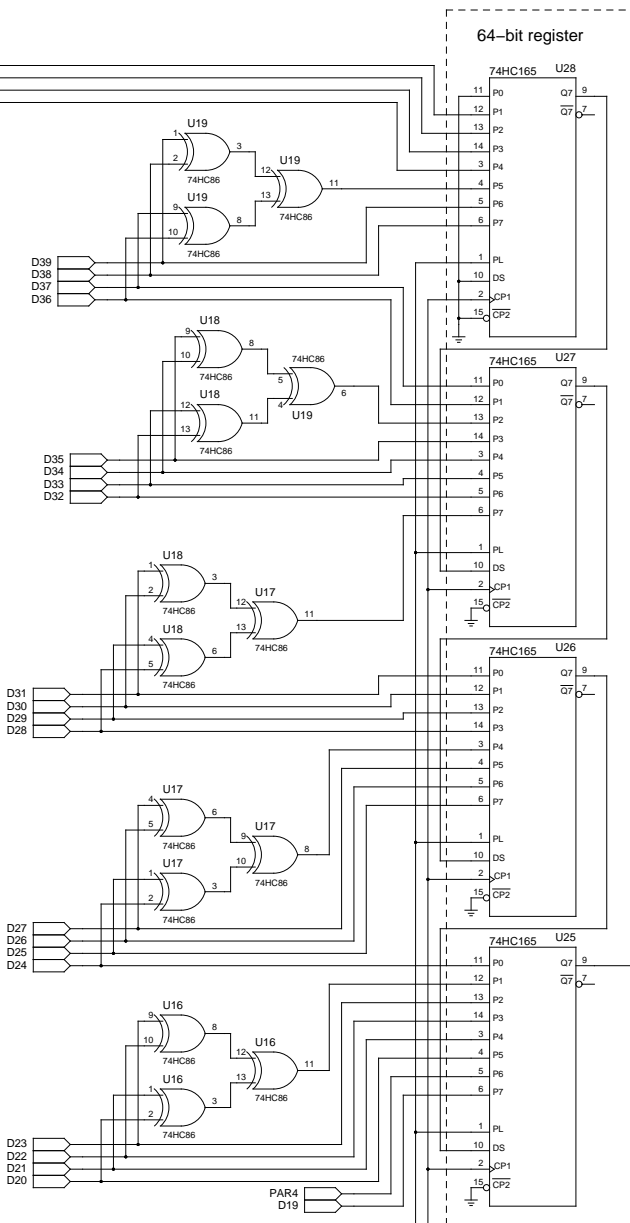
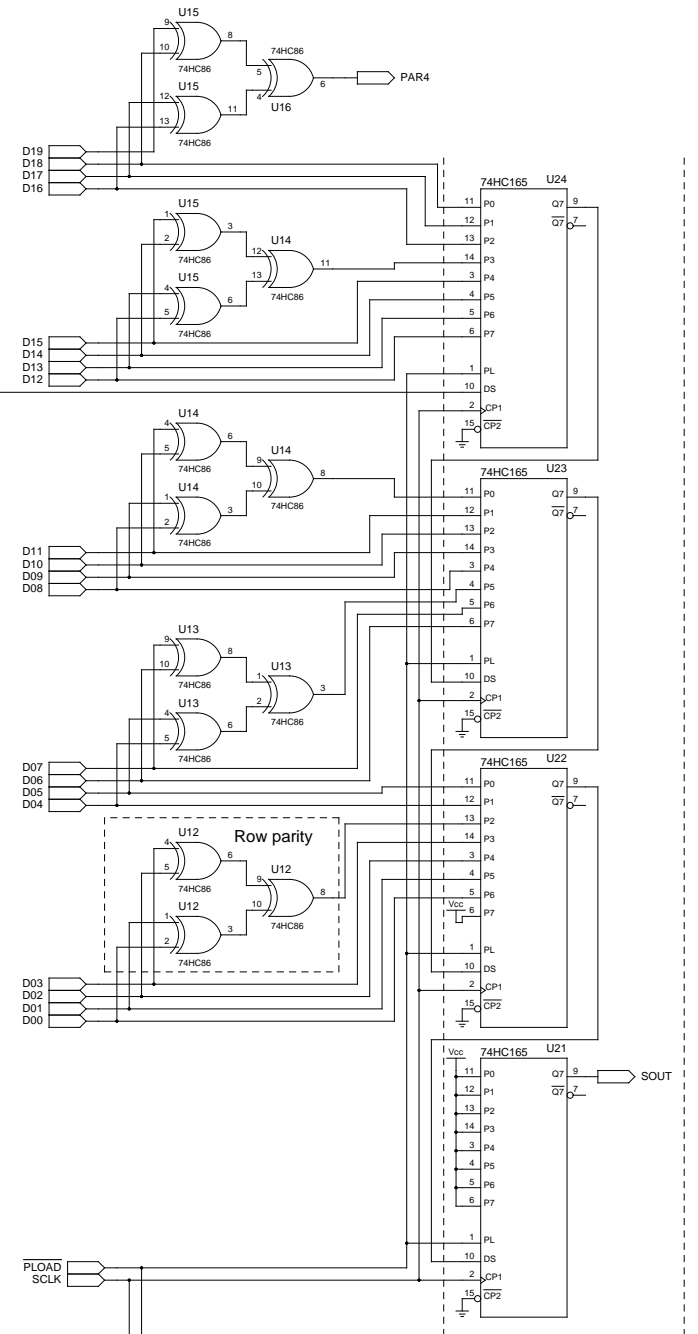


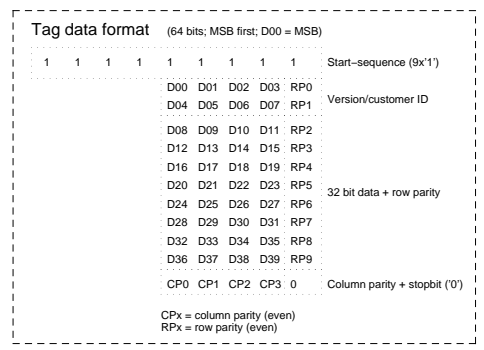
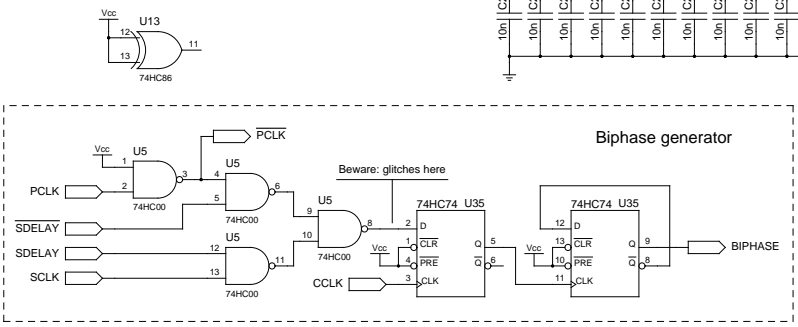
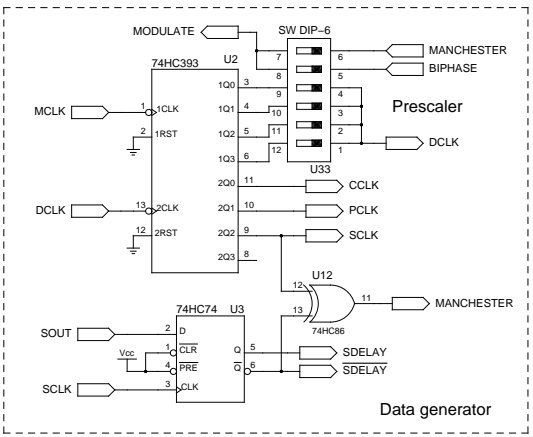
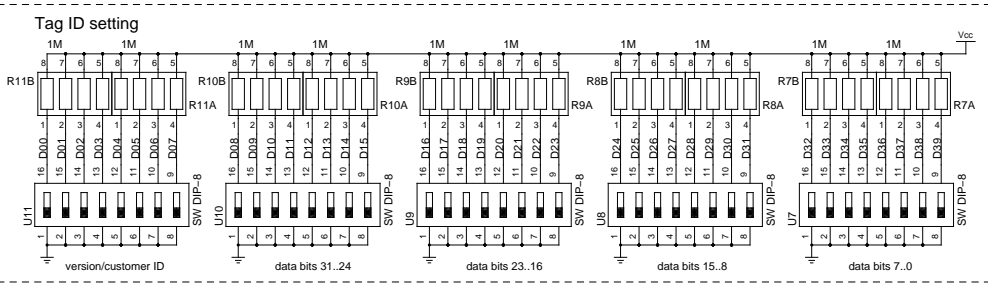
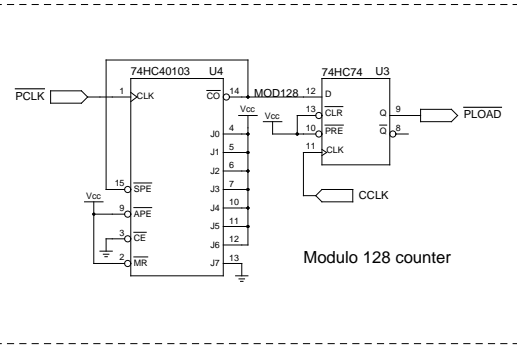
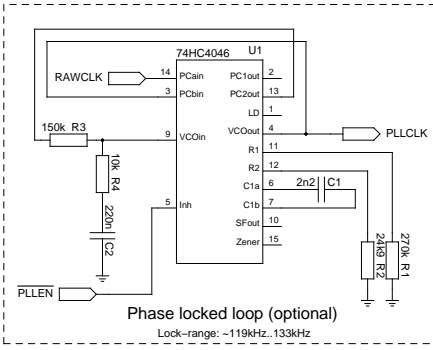
Column parity



64-bit register



Row parity



Notes:
- switch S1 is optional, primarily when using battery power, mount R13=0R if the switch is not mounted
- the prescaler is normally set to output 1Q2 of U2; this is the speed of common EM4100 tags

