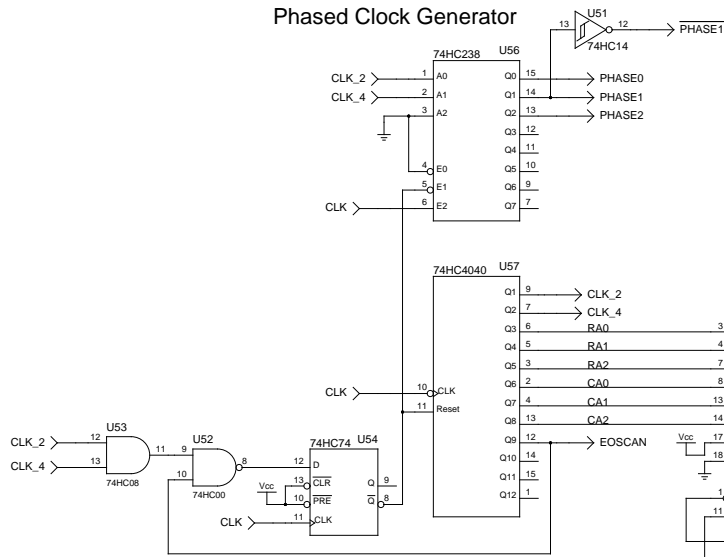


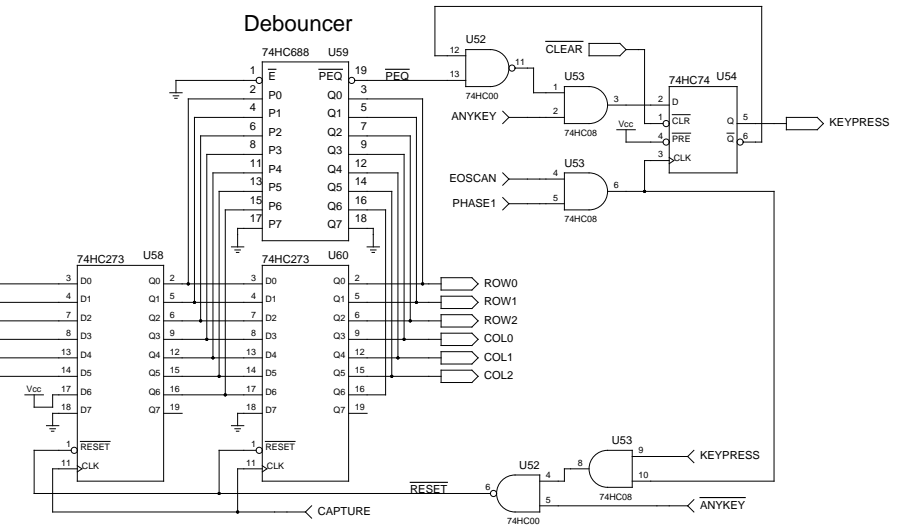
Board Interconnect

Phased Clock Generator

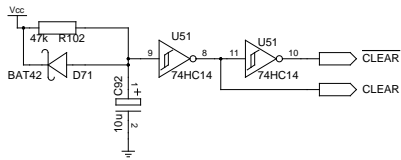


Row/Column Counter

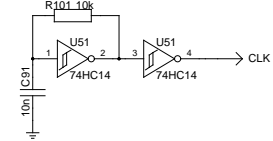
Debouncer



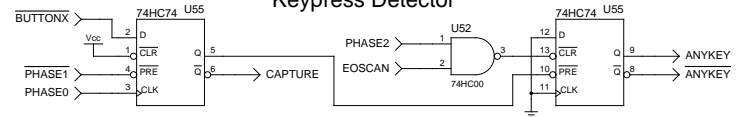
Power-on Reset



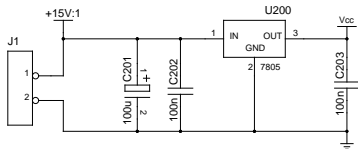
Master Clock



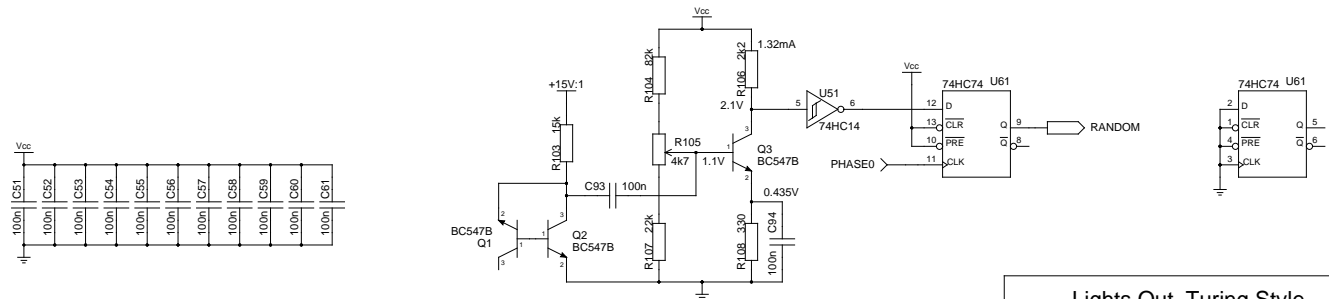
Keypress Detector



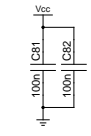
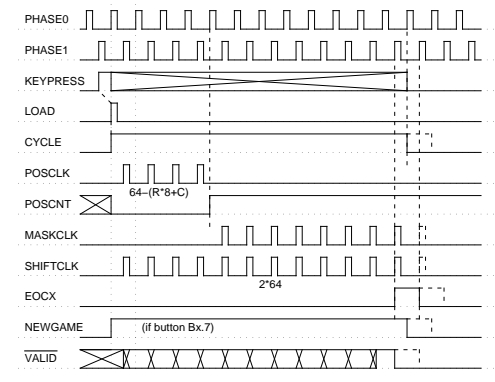
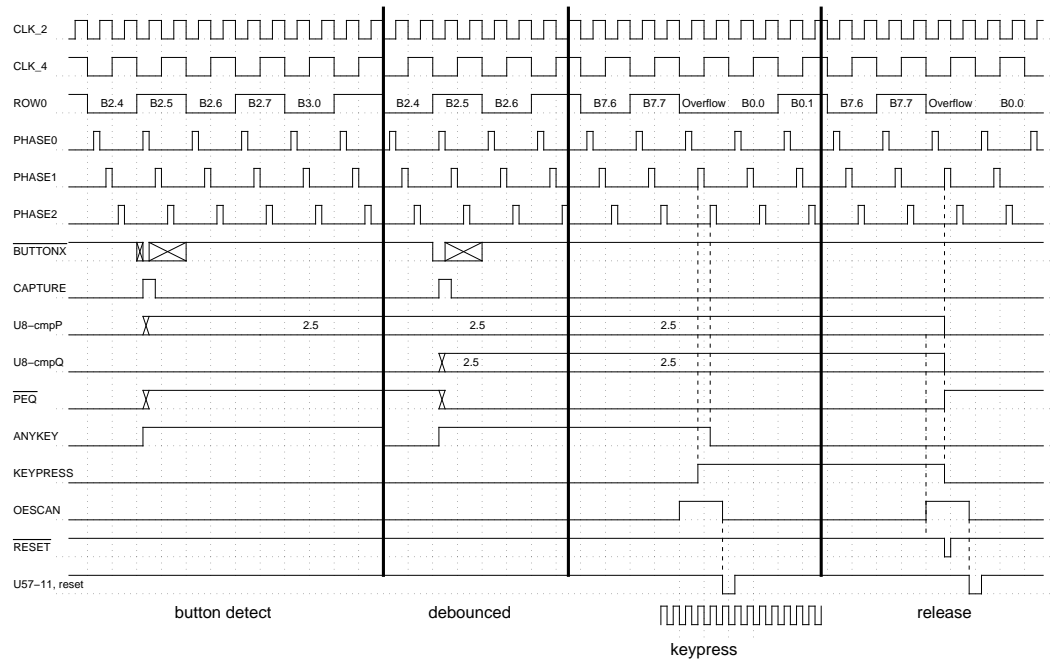
Power Supply



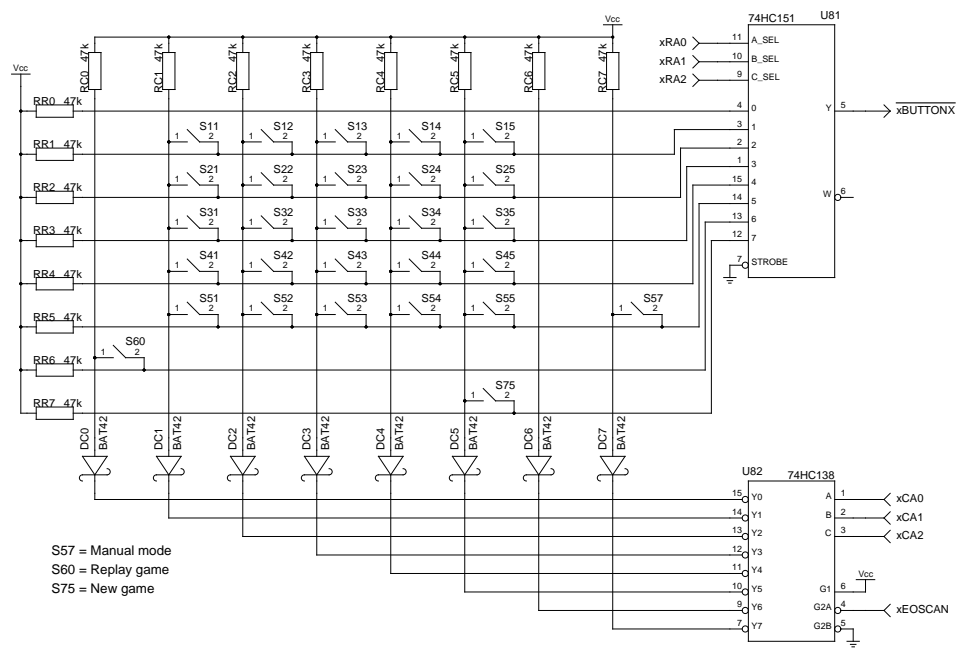
Random Number Generator



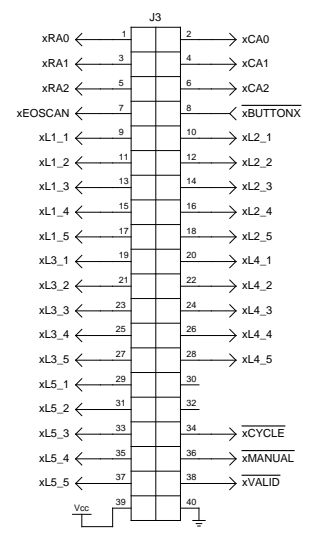
Lights Out, Turing Style



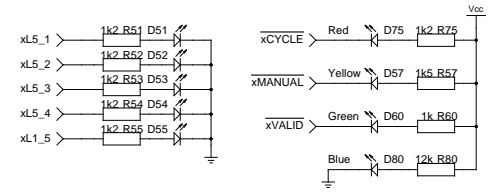
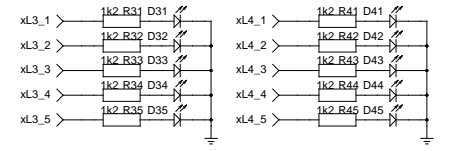
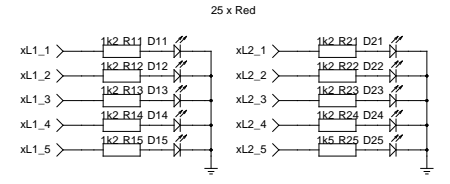
- Resistors:
 Red: 560 + 680
 Yellow: 680 + 680
 Green: 470 + 560



S57 = Manual mode
 S60 = Replay game
 S75 = New game



Board Interconnect



Lights Out, Turing Style