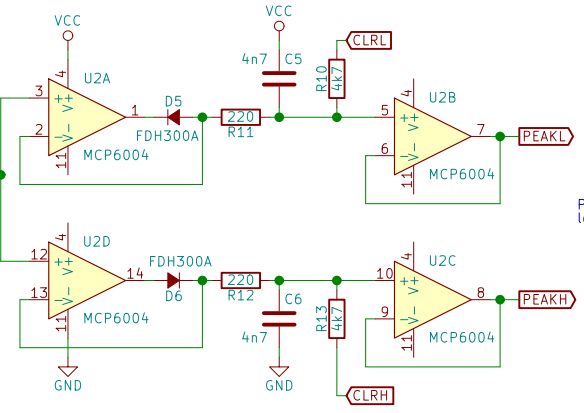


Buzzer touching back of Bang-plate using a spring-loaded holder.



Peak high and low detectors.

23 x WS2812B with 220uF Cap mounted at end.

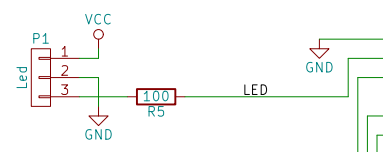
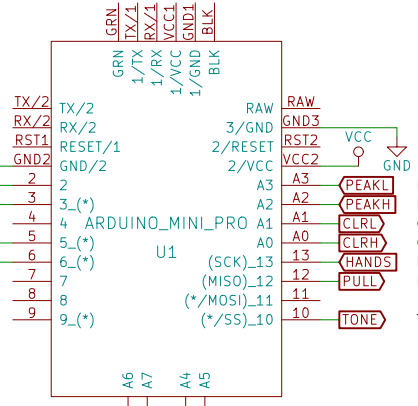
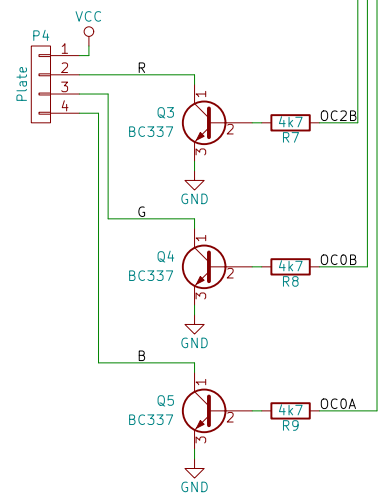
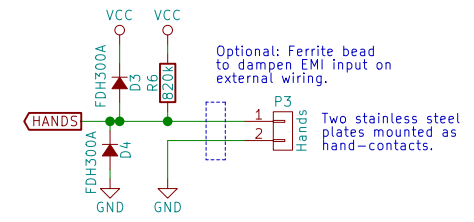


Plate mounted RGB leds



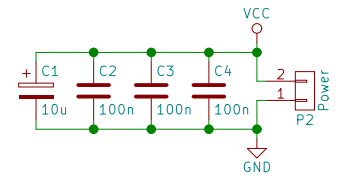
- RAW GND3
- RST2 VCC
- VCC2 GND
- A5 PEAKL
- A2 PEAKH
- A1 CLRH
- A0 CLRH
- 13 HANDS
- 12 PULL
- 11 TONE

(\* Remove the LED on Arduino pin 13. The LED interferes with the input impedance, which must be high. The hand detection is unreliable with the LED mounted.



Optional: Ferrite bead to dampen EMI input on external wiring.

Two stainless steel plates mounted as hand-contacts.



# Bang Head Here - Control

Sheet: /	
File: headbang.sch	
<b>Title:</b>	
Size: A4	Date: 20161102
KiCad E.D.A. kicad 4.0.2-1.fc23-product	Rev: Id: 1/1